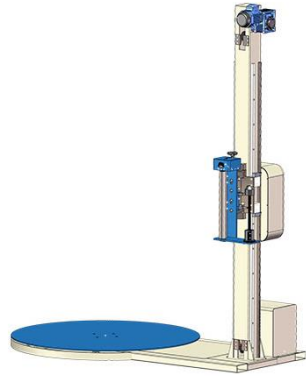
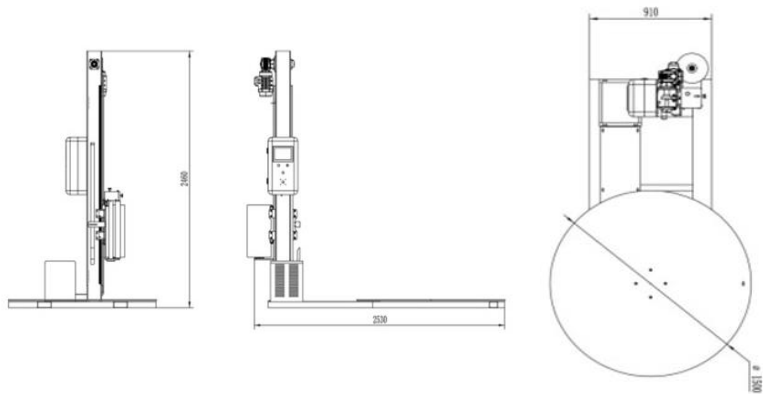




SIMPLE PALLET WRAPPING MACHINE



RELATED PARAMETERS



The simple pallet wrapping machine is suitable for container transportation of bulk goods and packaging of bulkpallets. Simple pallet wrapping machine is widely used in glass products, hardware tools, electronic appliances, paper making, ceramics, chemical industry, food, beverage, building materials and other industries. It can improve the logistics efficiency, reduce the loss during transportation, has the advantages of dustproof, moisture-proof, and reduce packaging costs. It is a packaging equipment that improves the packaging level of products.

Model

Turntable Size
Turntable Speed
Maximum wrapping speed
Maximum pallet size
Maximum Wrapping Height
Max Load Weight
Power Supply
Power
Machine Size
Machine Weight
Pre-Stretch
Film Width

Parameters

1500mm
0-12RPM(Adjustable)
10-30 loads/hour
1.1*1.2 m
1800mm
1500KG
110/220/380V 50Hz/60Hz
1.55KW
2550*W1500*H2500/L2550*W1650*H2500MM
450Kg
150-300%
500mm